

NC8000 Install Documentation



Installation

1 Connect GPS/GSM Antennas



Connect the GSM antenna to the SMA connector which is 'GSM' text labelled. The GSM antenna is non-directional, so you can hide it in any place of vehicle.

Connect GPS antenna to the GPS connector which is 'GPS' labelled. The optimum location for the GPS antenna is on the roof of the vehicle. The covert and GPS antenna are directional, make sure they are facing up and lying as flat as possible. Secure them in place with glue or zip ties.

Note: Do not shield or cover the GPS antenna with any objects containing metal.

2 Install I/O Cable

2.1 The Definition of I/O Cable

The I/O cable includes power, analogue input, negative/positive input and output.

I/O	Color	Description
Digital Input 1 (SOS)	Input: White Ground Wire: Black	Alarm while input1 triggering (Or press SOS).
Digital Input 2	White	Input2 is available for high level and low level, default is low level for detecting door.
Digital Input 3(Door)	Grey	Input3 is available for high level and low level, default is high level for detecting door.
Digital Input 4(ACC)	Brown	High level input (3~60V), default for ACC detection.
Digital Input 5(RPM)	Green	Detect the signal cable of vehicle speed sensor for detecting speed.
Digital Output	Yellow	Open-Drain Output, the power circuit of output is 1W, 0~100V.
Ground Wire	Black	GND
Power	Positive of Power: Red Ground Wire: Black	Main Power of the device, DC 11~36V, hardware under-voltage, overvoltage protection
Buzzer Output	Output: Brown Output: White	PWM Output: connect with buzzer Positive Power Cord: Brown; Ground Wire: White
Fuel Capacity AD Detection Port	Positive of Power: Red Ground Wire: Black AD Cable: Blue	0~5V AD detection Output positive power is the input voltage of the device (Only for Meitrack Protocol) The interface should match the fuel sensor
Temperature Detection Port	Positive of Power: Red Ground Wire: Black USB Cable: Green	The positive of the power is the output voltage of the device 5V. The interface should match the temperature sensor. (Only for Meitrack Protocol)
Microphone and Speaker	Green and Red	Green is speaker Red is microphone
Remote Control Antenna	Black	

2.2 I/O Photos



Digital Input 1 (SOS)



PWM Output



Temperature Detection



Remote Control Antenna



Fuel Detection



Digital Input/ Output Port



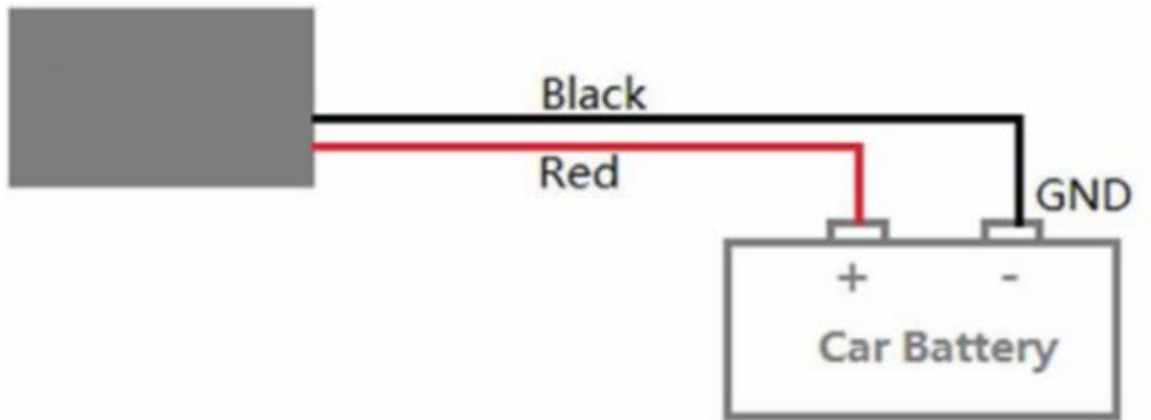
Power Port



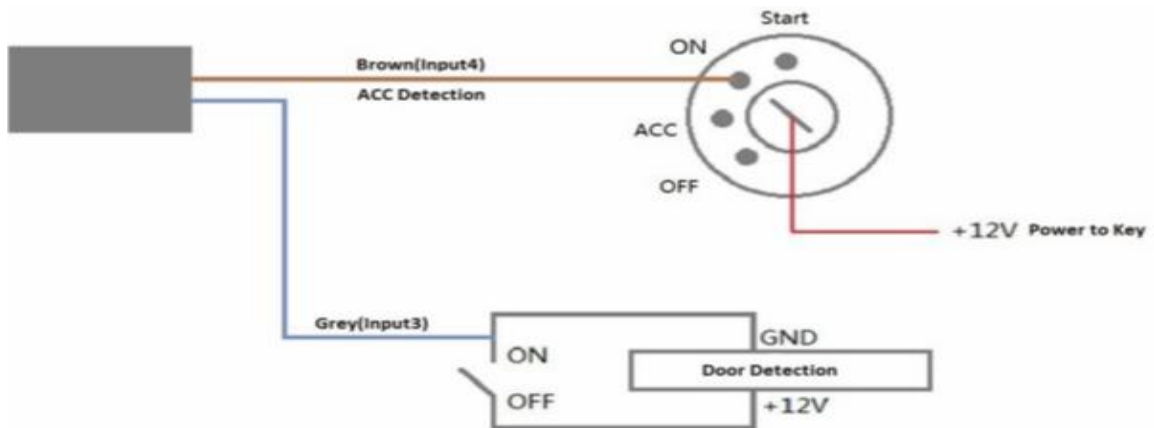
USB 232 Port

2.3 Power Cable/Ground Wire

Connect GND (-Black) and Power (+Red) wires to the battery of vehicle.



2.4 ACC and Door Detection



2.5 The Detection Port of High Level and Low Level Configuration



2.6 Remote Control Stop Engine

